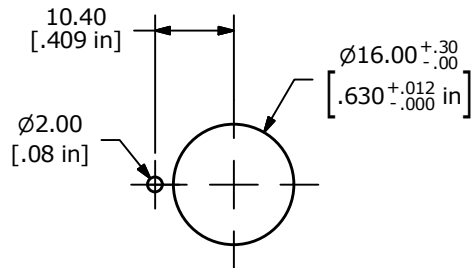
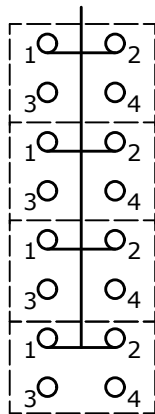


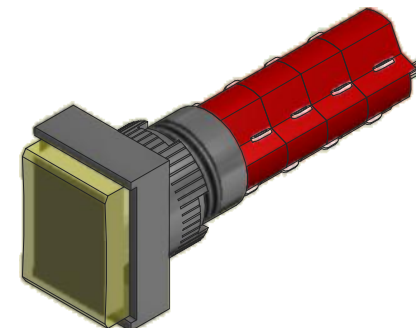
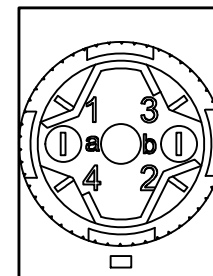
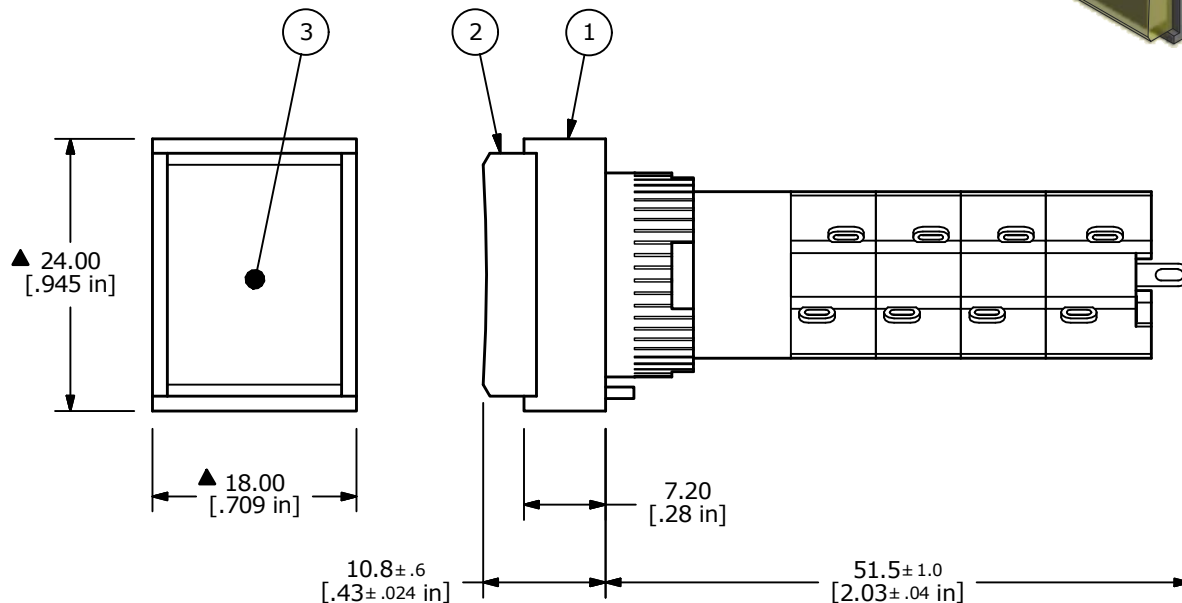
PARTS LIST			
ITEM	QTY	PART NUMBER	DESCRIPTION
1	1	F040040	D16EET14
2	1	F050205	WHITE TRANSPARENT RECTANGULAR CONCAVE
3	1	F050424	50-004-24 28VDC YELLOW LED



PANEL MOUNTING
PANEL THK. 0.5mm - 5.0mm



4PDT
CONTACT CONFIGURATION
LATCHING



NOTE:

1. ALL DIMENSIONS IN MM [INCH].
2. GENERAL TOLERANCE: X.X = ±0.4
X.XX = ±0.25
3. TERMINAL NUMBERS FOR REF ONLY.
4. CONTACT RATING: 5A @ 250VAC
8A @ 125VAC
6A @ 24VDC
5. ELECTRICAL LIFE: 50,000 OPERATIONS
6. CONTACT MATERIAL: SILVER PLATED COPPER ALLOY
7. ACTUATION FORCE: 300g / POLE
8. OPERATING TEMP.: -25°C to +55°C
9. ▲ DENOTES CRITICAL PARAMETER.
10. 2011/65/EU (ROHS) COMPLIANT



A	23181	RELEASED FOR PRODUCTION	1/25/18	MW
REV	PCR NO	DESCRIPTION	DATE	BY

TITLE D16EET14KYELWHT				
SCALE 3:2	DATE 1/25/2018	DR MW	DWG XF0915P	REV A